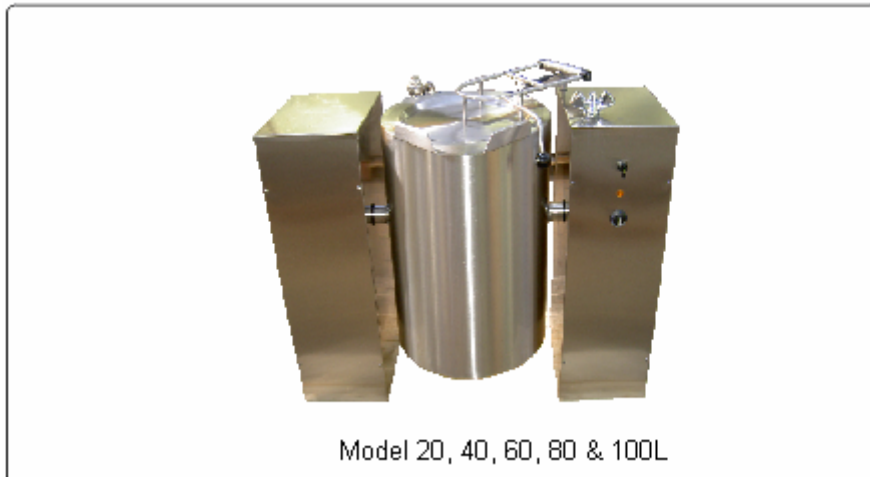


Edco Marine

Cooking Kettle



Options

- Steam heated kettle
- Rice basket

General description

The tilting cooking kettle is simple kettle with electric tilt. It combines the advantages of the tilting kettle with convenient and simple use.

The kettle is available with nominal volumes of 20, 40, 60, 80 or 100 litres and the electric tilt function enables the kettle to be emptied quickly and easily.

Electrically heated kettles are supplied as standard with regulating control which includes electric tilt, heating is infinitely variable using a dial and a cold water tap for filling the kettle with water. Water is added to the steam generator using a valve on the back of the pillar.

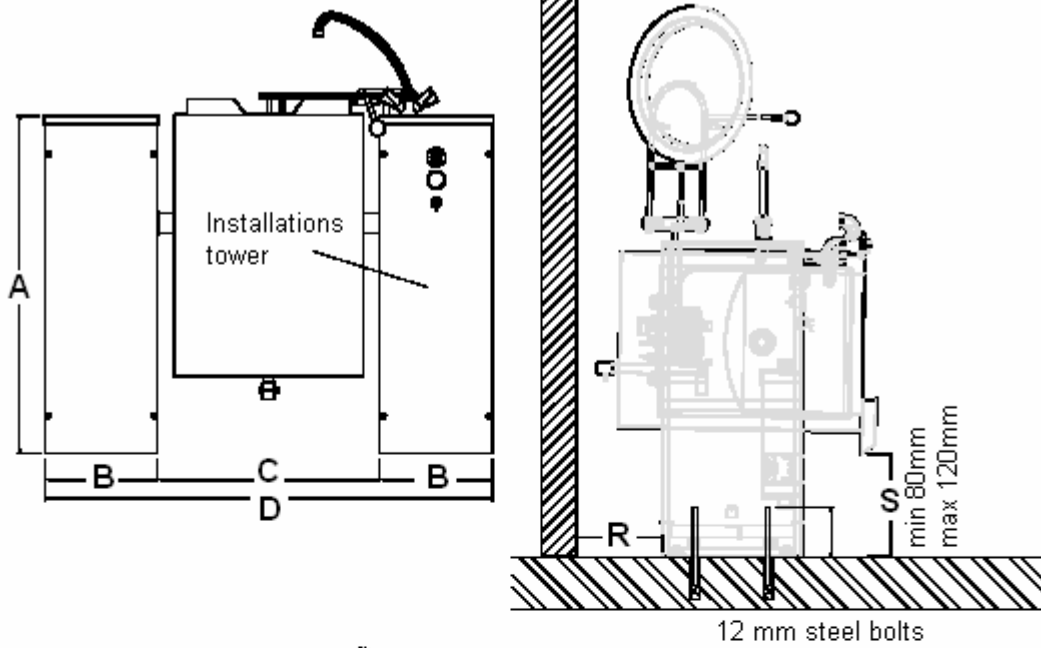
Several kettles can be linked together and the control panel placed optionally on either the right- or the left-hand pillar.

A/S Edco Marine
Vik Torg,
N-3530 Roysø
Norway
P: +47 23 05 45 95
F: +47 23 05 45 96
E: edco@edco.no W: www.edco.no

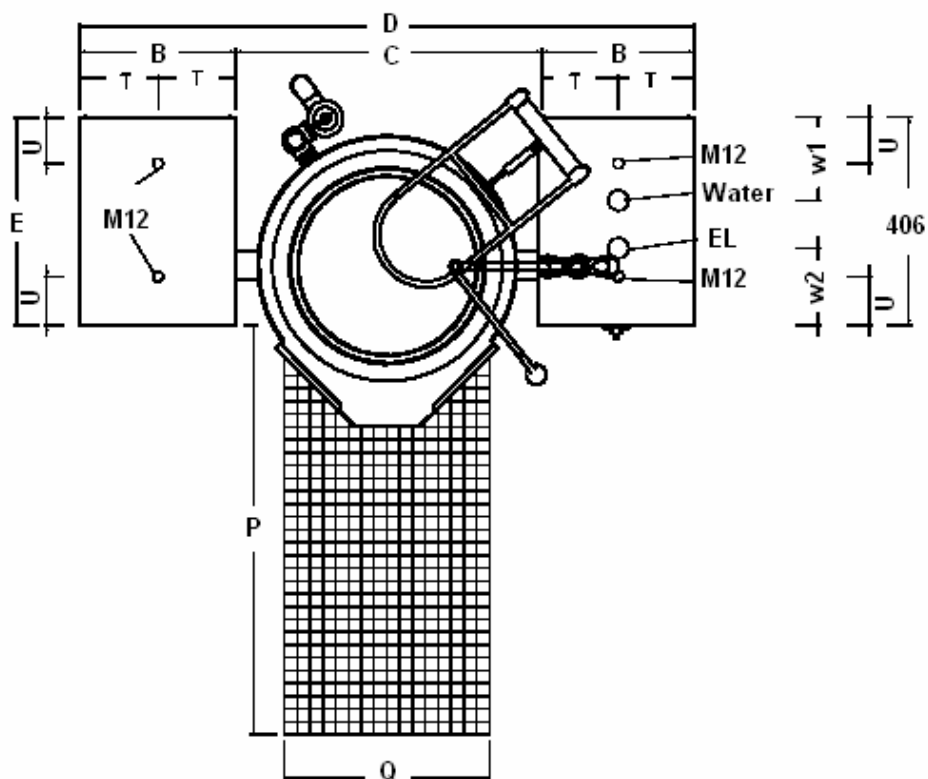
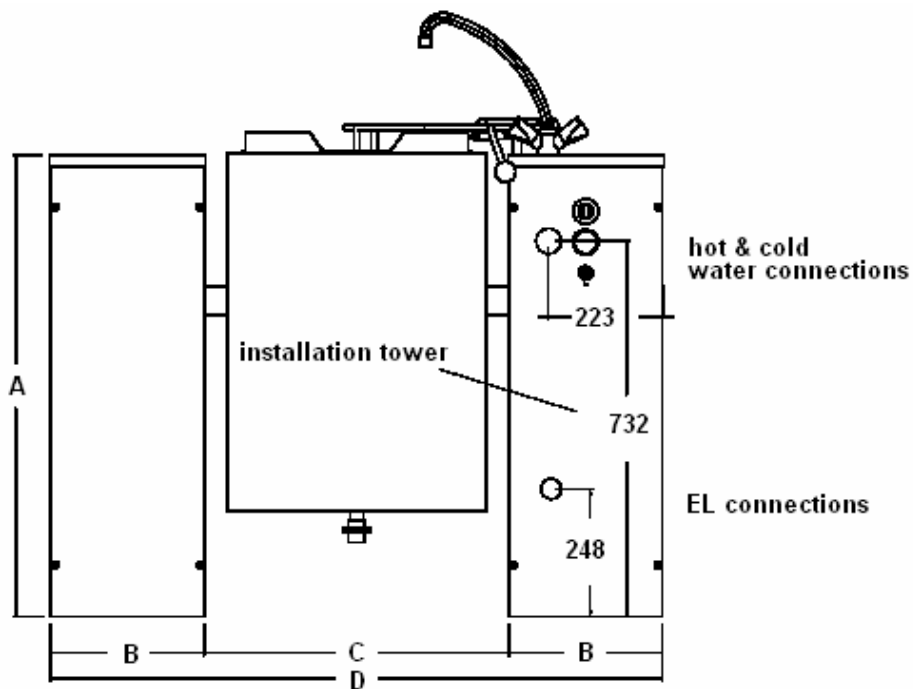
Branch Office:
Unit 31, Lynedoch Industrial Estate,
Dellingburn Street
Greenock, UK, PA15 4AX
P: +44 (0) 1475 726900
F: +44 (0) 1475 713400
E: sales@edcouk.co.uk

COOKING KETTLE

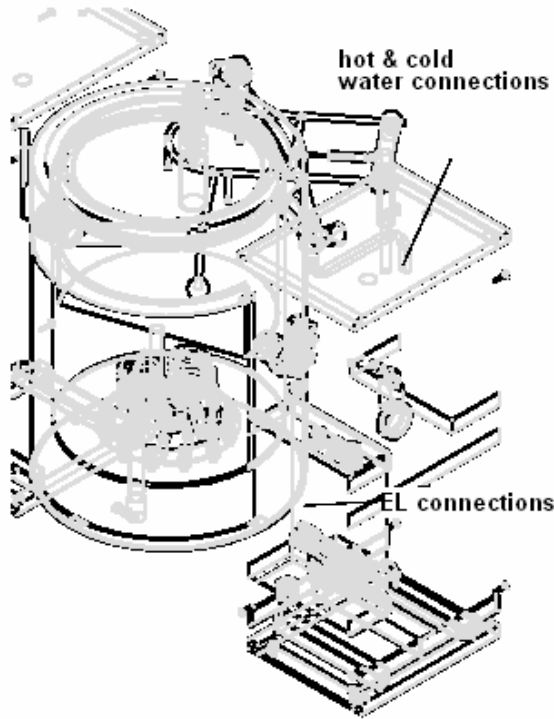
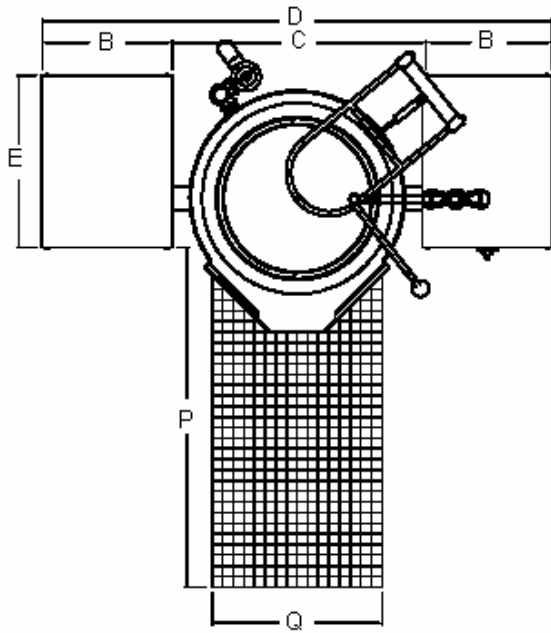
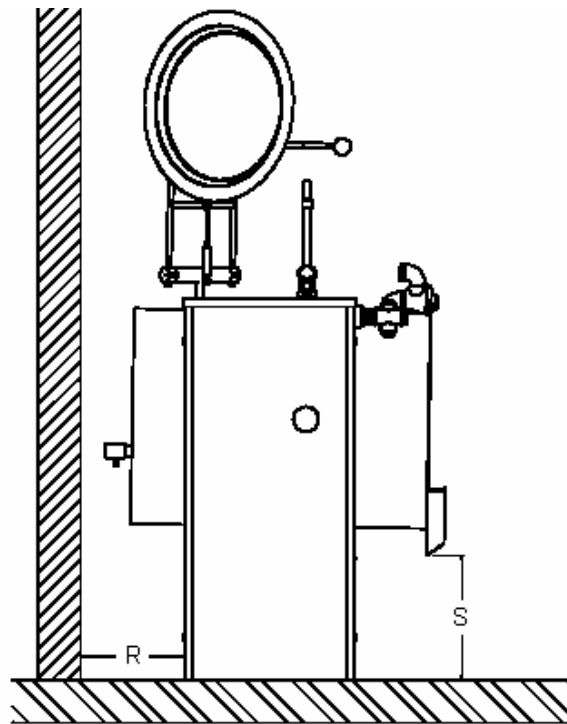
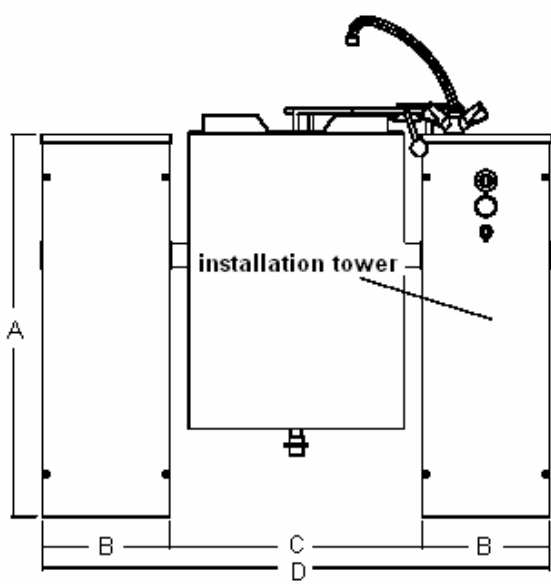
EK200 – 20, 40, 60, 80 & 100L



	A	B	C	D	E	R	S
EK-200 20L	900	300	540	1140	400	MIN 140	315
EK-200 40L	900	300	590	1190	400	MIN 250	295
EK-200 60L	900	300	640	1240	400	MIN 320	260
EK-200 80L	900	300	690	1290	400	MIN 360	240
EK-200 100L	900	300	740	1340	400	MIN 360	215



	A	B	C	D	E	T	U	P	Q	W1	W2
EK-200 20L	900	300	540	1140	400	150	90	MIN 500	MIN 400	150	160
EK-200 40L	900	300	590	1190	400	150	90	MIN 500	MIN 400	150	160
EK-200 60L	900	300	640	1240	400	150	90	MIN 500	MIN 400	150	160
EK-200 80L	900	300	690	1290	400	150	90	MIN 500	MIN 400	150	160
EK-200 100L	900	300	740	1340	400	150	90	MIN 500	MIN 400	150	160



	A	B	C	D	E	R	S	P	Q
EK-200 20L	900	300	540	1140	400	MIN 140	315	MIN 500	MIN 400
EK-200 40L	900	300	590	1190	400	MIN 250	295	MIN 500	MIN 400
EK-200 60L	900	300	640	1240	400	MIN 320	265	MIN 500	MIN 400
EK-200 80L	900	300	690	1290	400	MIN 360	240	MIN 500	MIN 400
EK-200 100L	900	300	740	1340	400	MIN 360	215	MIN 500	MIN 400

Specification

Model	Buffer stock	Hour capacity	Water dosing time	Filter paper	Power
CB 1X5 L/R	5 ltr / 40 cups	30 ltr / 240 cups	10 min. / 5ltr	101/317	380-415V/50-60Cy/6200W
CB 1X10 L/R	10 ltr / 80 cups	60 ltr / 480 cups	10 min. / 10ltr	152/457	380-415V/50-60Cy/6200W
CB 1X20 L/R	20 ltr / 160 cups	90 ltr / 720 cups	14 min. / 20ltr	203/533	380-415V/50-60Cy/6200W
CB 2X5	10 ltr / 80 cups	30 ltr / 240 cups	10 min. / 5ltr	101/317	380-415V/50-60Cy/6200W
CB 2X10	20 ltr / 160 cups	60 ltr / 480 cups	10 min. / 10ltr	152/457	380-415V/50-60Cy/6200W
CB 2X20	40 ltr / 320 cups	90 ltr / 720 cups	14 min. / 20ltr	203/533	380-415V/50-60Cy/6200W