

UA180-240-280

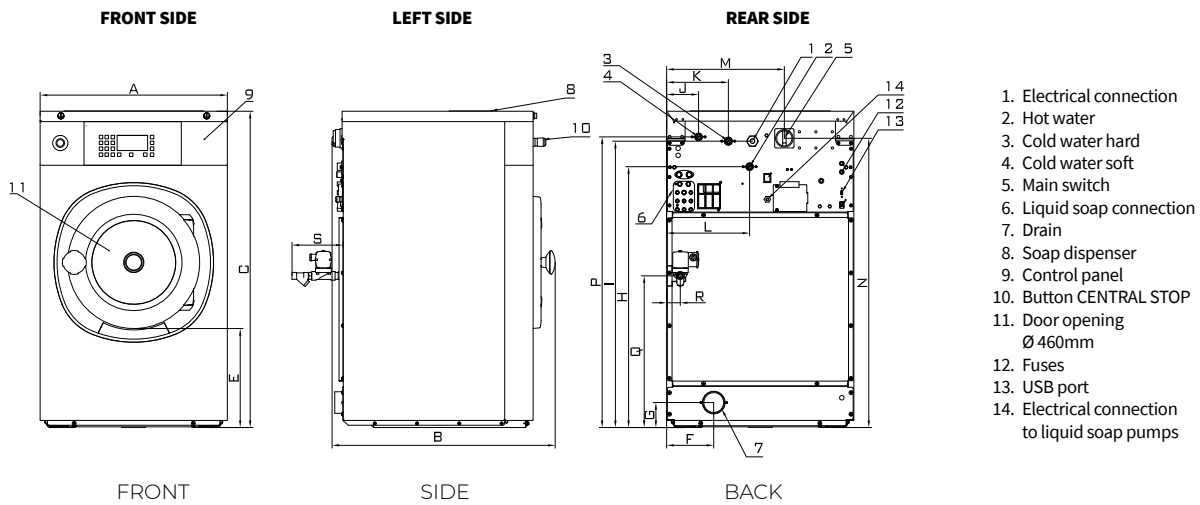
FEATURES AND BENEFITS

- Rigid mounted, normal spin, 100C factor
- Stainless steel panels
- Stainless steel drum and tub
- PROform – fully programmable microprocessor
- Patented soap hopper
- USB plug (on the back panel)
- Liquid soap connection
- High capacity water inlets (UA280)
- Large drain valve (Ø 76 mm)
- Easy access to all vital parts from the front
- Large door opening for easy loading & unloading

OPTIONS

- 200 G factor execution
- Steam heating version
- Liquid soap pumps
- Water recovery kit
- Steam heating version

TYPE		UA180	UA240	UA280
INNERDRUM				
Capacity (1:10)	kg	18	24	28
Volume	l	180	240	280
Diameter	mm	750	750	750
DRUM SPEED				
Wash	rpm	42	42	42
Extraction	rpm	490 (100G) - 690 (200G)	490 (100G) - 690 (200G)	490 (100G) - 690 (200G)
G-Factor	G	100 (optional 200)	100 (optional 200)	100 (optional 200)
HEATING				
Electricity (standard)	kW	12	18	22
Steam	bar	1-8	1-8	1-8
Hot water	°C	90	90	90
Sound pressure level	dB (A)	<65	<65	<65
Water valves connection	inch	3/4"	3/4"	3/4"
Water pressure	kPa	100-800	100-800	100-800
Rec. water pressure	kPa	300-500	300-500	300-500
Water inlet	l/min	20	20	20
Drain valve	outer Ø mm	76	76	76
Flow amount with drain valve	l/min	210	210	210
Steam valve connection	inch	1/2"	1/2"	1/2"
Steam pressure	kPa	100-800	100-800	100-800
TRANSPORT DATA				
Gross weight	kg	270 (335 with 200G)	290 (355 with 200G)	305 (385 with 200G)
Net weight	kg	255 (315 with 200G)	275 (330 with 200G)	290 (335 with 200G)
Packed HxWxD	mm	1550 x 925 x 970	1550 x 925 x 1130	1550 x 925 x 1190



TYPE	A	B	C	D	E	F	G	H	I	J	K	L	M	N	O	P	Q	S
UA 180	890	915	1410	815	465	280	130	1212	1297	113	218	303	625	1270	1317	528	54	120
UA 240	890	1060	1410	960	465	280	130	1212	1297	113	218	303	625	1270	1317	528	54	120
UA 280	890	1135	1410	1035	465	280	130	1212	1297	113	218	303	625	1270	1317	528	54	120
	width	depth	height															